



## **Volkmann Introduces the “No-Tip Unloader” Vacuum Conveyor At Interphex Puerto Rico**

### ***Optimizes Material Flow and Provides Safe Contained Transfer***

Volkmann, a market leader in vacuum conveying, will introduce its “No-Tip Unloader” vacuum conveyor at Interphex Puerto Rico. The No-Tip Unloader has been developed to eliminate the material flow issues involved when transferring powders, granules, pellets, capsules, tablets and other bulk materials through conventional unloading methods requiring tipping of the raw material drum, bin or IBC. This vacuum transport can supply packaging lines, mixers, filling machines, tablet presses or any other kind of process equipment or vessel (containers, silos etc.) on demand.

The No-Tip Unloader, when combined with a Volkmann vacuum conveyor, offers an interactive, enclosed transfer system with considerable advantages over conventional, old-fashioned, mechanical transport technologies. It features a unique lifting column equipped with three product sensors for product recognition. Activated by the sensors, the column guides the product suction device while initially holding the product repository liner bag in place, and then lifting it up to exhaust as much product as possible in the final suction periods. The suction process continues automatically until no product is recognized or an operator mechanically stops the process. The control logo of the No-Tip Unloader has been designed to allow handling of different materials without a new set-up.

For more information visit us at: [www.volkmann.info](http://www.volkmann.info) or call 609-265-0101.

Interphex Puerto Rico Booth #1008

- 30 -

High resolution CMYK photo was attached to this press release.

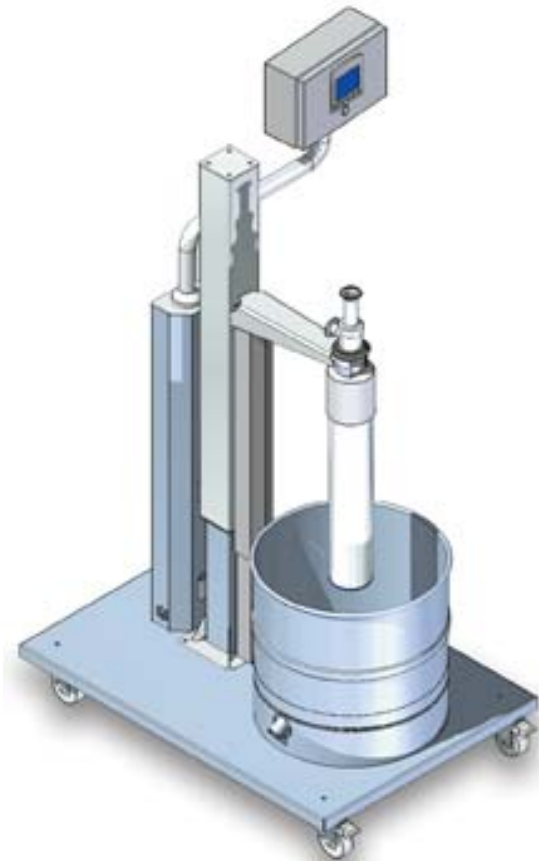


Figure 1:  
Volkmann No-Tip Unloader

Interphex Puerto Rico Booth #1008

Nick Hayes, MCMI DipIM, President,

Volkmann, Inc.

3855 Sylon Blvd.

Hainesport, NJ 08036

Tel: 609-265-0101 Fax: 609-265-0110

<http://www.Volkmann.info> [usa@volkmann.info](mailto:usa@volkmann.info)

Agency contact: Sharon Marshall, Marketing Solutions, 215-538-1437